

ISUZU
THE PICK-UP
PROFESSIONALS

THE AWARD WINNING ISUZU D-MAX BUSINESS RANGE



isuzu.co.uk

THE AWARD WINNING ISUZU D-MAX BUSINESS RANGE

Practical, reliable and tough; the perfect choice for when the emphasis is on getting the job done.

Powered by a Euro 6 turbo diesel engine and with the choice of three cab configurations, you can comfortably get through the day – day after day. And if you think all-wheel drive is a luxury you don't need, we have a 4x2 option that works for you.

It's for professionals who need a workhorse, not a show pony.





5 YEAR
125,000
MILE
WARRANTY

3.5
TONNES
TOWING
CAPACITY

— OVER —
1.1
TONNE
PAYLOAD

164
PS

— OVER —
40
MPG
COMBINED

EURO 6
NO
ADBLUE

5 YEAR
UK & EU
ROADSIDE
ASSISTANCE

6 YEAR
ANTI-CORROSION
WARRANTY

#Over 40 MPG figure applies to all models. MPG figures are official EU test figures for comparative purposes and may not reflect real driving results. Official fuel figures for the Isuzu D-Max Business manual range in MPG (l/100km): Urban 37.2-38.7 (7.6-7.3); Extra Urban 42.8-50.4 (6.6-5.6); Combined 40.4-45.6 (7.0-6.2). CO₂ Emissions 163-183 g/km. For full details please contact your local Isuzu dealer or visit isuzu.co.uk *3.5 tonne towing applies to all 4x4 models. **125,000 miles/5 year (whichever comes first) warranty applies to all new Isuzu D-Max models. Terms and conditions apply. Visit isuzu.co.uk

THE PRACTICAL SOLUTION

NO

AdBlue

NO ADBLUE

Unlike other diesel pick-ups that require the addition of AdBlue, the Isuzu engine is capable of over 40.4 MPG combined, whilst meeting Euro 6 emissions standards without the need for AdBlue. This vehicle not only saves you money, but is the perfect pick-up for your business.

3.5
TONNES
TOWING
CAPACITY

PULLING, PAYLOAD & TRAILER SWAY CONTROL

With a maximum payload up to 1,141kg on the Double Cab variant, and a 3.5 tonne towing capacity* the Isuzu D-Max is no burden to your working day. On all 4x4 models, trailer sway control uses sensors to detect the onset of trailer swing and reduces vehicle speed if sway is identified.

NO

LIMITS

NO SPEED LIMITS

Compared to some heavier pick-ups that exceed the legal 2,040kgs, the Isuzu D-Max Double Cab which has an unladen weight of 1,909kg is not affected by commercial vehicle speed limits (10mph slower on both dual and single carriageways). With this in mind, the Isuzu range continues to offer all of the powers and capabilities of a dual purpose vehicle, without the restrictions.

NO
ONE
PRIORITY



SAFETY

At Isuzu, safety is our priority and the Isuzu D-Max range reaps the benefits of this policy. The tough cabin structure, front, side and curtain airbag, pre-tensioning seatbelts and ISOFIX are all included to offer even more protection. All Isuzu models come with LED daytime running lights which improve light distribution and visibility.



Canopy optional extra.

BRAKE OVERRIDE SYSTEM

Designed to work if the accelerator and brake pedals are accidentally pressed simultaneously. Engine power will be cut and only the brakes will be applied instead.

HILL START ASSIST & HILL DESCENT CONTROL

Stay in control with two systems that help negotiate hills smoothly and safely. The Hill Start Assist function applies the brakes for 1 to 2 seconds while the driver moves from the brake to the accelerator pedal, preventing the pick-up from rolling back on a hill start. Hill Descent Control is a system that controls the brakes to maintain a consistent, low speed when descending steep, slippery slopes, allowing the driver to concentrate on steering.

5 YEARS PEACE OF MIND

All Isuzu D-Max models benefit from a 5 year/125,000 mile warranty and 5 year roadside assistance across UK and Europe.



4x2 SINGLE CAB

The Isuzu D-Max 4x2 Single Cab comes with the following specification.

EXTERIOR

- Projector Headlights
- LED Daytime Running Lights
- Grey Radiator Grille
- Black Door Mirrors and Door Handles

COMFORT & CONVENIENCE

- Front Power Windows
- Remote Control Central Locking
- Height Adjustable Steering Wheel
- Two 12-Volt Power Outlets
- Manual Air Conditioning

WHEELS

- 15" Steel Wheels
- Full Size Spare Wheel – Steel¹

SAFETY & SECURITY

- ABS, ESC & EBD
- Brake Assist System
- Hill Start Assist & Hill Descent Control
- Insurance Approved Immobiliser
- Front, Side & Curtain SRS Airbags²

INTERIOR

- Cloth Upholstery
- Height Adjustable Front Headrests
- Front Centre Armrest
- Front Cup Holders
- Vinyl Floor Covering

ENTERTAINMENT

- Bluetooth® Connectivity
- RDS Radio
- Two Door Mounted Speakers
- Front USB Port



¹No cost option. ²SRS: Supplemental Restraint System. Must be used in conjunction with seatbelts.



4x4 SINGLE CAB

The Isuzu D-Max 4x4 Single Cab comes with the following specification.

EXTERIOR

- Projector Headlights
- LED Daytime Running Lights
- Grey Radiator Grille
- Black Door Mirrors and Door Handles

COMFORT & CONVENIENCE

- Front Power Windows
- Remote Control Central Locking
- Height Adjustable Steering Wheel
- Two 12-Volt Power Outlets
- Manual Air Conditioning

WHEELS

- 16" Steel Wheels
- Full Size Spare Wheel – Steel¹

SAFETY & SECURITY

- ABS, ESC & EBD
- Brake Assist System
- Hill Start Assist & Hill Descent Control
- Insurance Approved Immobiliser
- Front, Side & Curtain SRS Airbags²
- Trailer Sway Control

INTERIOR

- Cloth Upholstery
- Height Adjustable Front Headrests
- Front Centre Armrest
- Front Cup Holders
- Vinyl Floor Covering

ENTERTAINMENT

- Bluetooth® Connectivity
- RDS Radio
- Two Door Mounted Speakers
- Front USB Port



¹No cost option. ²SRS: Supplemental Restraint System. Must be used in conjunction with seatbelts.



4x4 EXTENDED CAB

The Isuzu D-Max 4x4 Extended Cab comes with the following specification.

EXTERIOR

- Projector Headlights
- LED Daytime Running Lights
- Grey Radiator Grille
- Heated Black Door Mirrors
- Heated Rear Screen
- Black Door Handles
- Lockable Tailgate

COMFORT & CONVENIENCE

- Front Power Windows
- Remote Control Central Locking
- Height Adjustable Steering Wheel
- Two 12-Volt Power Outlets
- Manual Air Conditioning

SAFETY & SECURITY

- ABS, ESC & EBD
- Brake Assist System
- Hill Start Assist & Hill Descent Control
- Insurance Approved Immobiliser
- Front, Side & Curtain SRS Airbags²
- Trailer Sway Control
- 2 x Three-Point Rear Seatbelts

WHEELS

- 16" Steel Wheels
- Full Size Spare Wheel – Steel¹

INTERIOR

- Cloth Upholstery
- Height Adjustable Front Headrests
- Height Adjustable Driver's Seat (Manual)
- Front Centre Armrest
- Front Cup Holders
- Vinyl Floor Covering
- Under Seat Base Storage

ENTERTAINMENT

- Bluetooth® Connectivity
- RDS Radio
- Two Door Mounted Speakers
- Front USB Port



¹No cost option. ²SRS: Supplemental Restraint System. Must be used in conjunction with seatbelts.



4x4 DOUBLE CAB

The Isuzu D-Max 4x4 Double Cab comes with the following specification.

EXTERIOR

- Projector Headlights
- LED Daytime Running Lights
- Rear Fog Lights
- Grey Radiator Grille
- Heated Black Door Mirrors
- Heated Rear Screen
- Black Door Handles
- Lockable Tailgate

COMFORT & CONVENIENCE

- Front & Rear Power Windows
- Remote Control Central Locking
- Two 12-Volt Power Outlets
- Manual Air Conditioning

SAFETY & SECURITY

- ABS, ESC & EBD
- Brake Assist System
- Hill Start Assist & Hill Descent Control
- Front, Side & Curtain SRS Airbags²
- ISOFIX Child Seat Anchors with Top Tether Anchors (2 x Rear Side)
- Rear Door Child Locks
- Insurance Approved Immobiliser

WHEELS

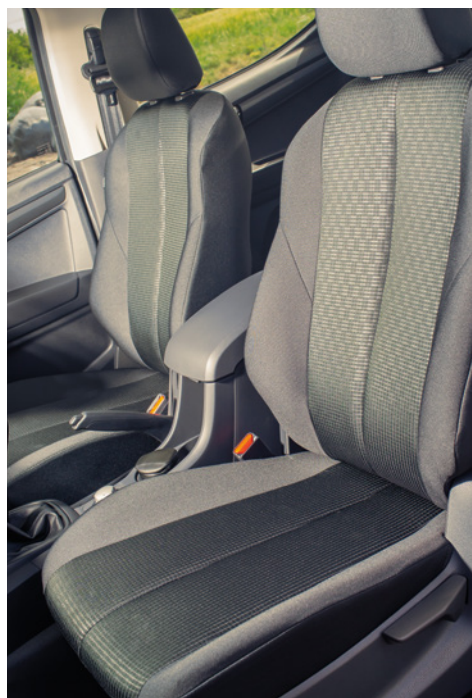
- 16" Steel Wheels
- Full Size Spare Wheel – Steel¹

INTERIOR

- Cloth Upholstery
- Flat Folding Rear Seats
- Height Adjustable Front & Rear Headrests
- Height Adjustable Driver's Seat (Manual)
- Front Centre Armrest
- Front Cup Holders
- Vinyl Floor Covering
- Under Seat Base Storage

ENTERTAINMENT

- Bluetooth® Connectivity
- RDS Radio
- Two Door Mounted Speakers
- Front USB Port



¹No cost option. ²SRS: Supplemental Restraint System. Must be used in conjunction with seatbelts.



BF Goodrich tyres, rear load liner and safety beacons are optional extras.

COLOURS

**SPLASH
WHITE**



**TITANIUM
SILVER MET**



**OBSIDIAN
GREY MICA**



VEHICLE SPECIFICATION

	SINGLE CAB 4X2	SINGLE CAB 4X4	EXT CAB 4X4	DOUBLE CAB 4X4
EXTERIOR				
Projector Headlights	■	■	■	■
LED Daytime Running Lights	■	■	■	■
Rear Fog Lights	■	■	■	■
Grey Radiator Grille	■	■	■	■
Black Rear Bumper	■	■	■	■
Black Door Mirrors	■	■	-	-
Heated Black Door Mirrors	-	-	■	■
Black Door Handles	■	■	■	■
Heated Rear Screen	-	-	■	■
Integrated Fuel Filler Cap	■	■	■	■
WHEELS				
15" Steel Wheels	■	-	-	-
16" Steel Wheels	-	■	■	■
Full Size Spare Wheel - Steel	□	□	□	□
INTERIOR				
Cloth Upholstery	■	■	■	■
Height Adjustable Driver's Seat (Manual)	-	-	■	■
Front Seatback Map Pockets	-	-	■	■
Flat Folding Rear Seats	-	-	-	■
60/40 Folding Seat Base	-	-	-	■
Under Seat Base Storage	-	-	■	■
Height Adjustable Front Headrests	■	■	■	■
Height Adjustable Rear Headrests	-	-	-	■
Front Centre Armrest	■	■	■	■
Front Cup Holders (Centre Console & Dash - Driver & Passenger Sides)	■	■	■	■
Front Door Pockets with Bottle Holder	■	■	■	■
Rear Door Pockets with Bottle Holder	-	-	-	■
Vinyl Floor Covering	■	■	■	■
Driver's Foot Rest	■	■	■	■

■ = Standard □ = No cost option

*1 Driver side has auto up/down function, with pinch protection and timer. *2 SRS: Supplemental Restraint System. Must be used in conjunction with seatbelts.

	SINGLE CAB 4X2	SINGLE CAB 4X4	EXT CAB 4X4	DOUBLE CAB 4X4
COMFORT & CONVENIENCE				
Power Windows (Front Only)*1	■	■	■	-
Power Windows (Front & Rear)*1	-	-	-	■
Remote Control Central Locking	■	■	■	■
Driver & Passenger Sun Visors	■	■	■	■
Height Adjustable Steering Wheel	■	■	■	■
Two 12-Volt Power Outlets (Top Glove Box & Instrument Panel)	■	■	■	■
Low Fuel Warning Light	■	■	■	■
Gear Shift Indicator	■	■	■	■
CLIMATE CONTROL				
Manual Air Conditioning	■	■	■	■
SAFETY & SECURITY				
ESC (Electronic Stability Control)	■	■	■	■
Trailer Sway Control	-	■	■	■
ABS (Anti-Lock Braking System)	■	■	■	■
EBD (Electronic Brakeforce Distribution)	■	■	■	■
Brake Assist System	■	■	■	■
Hill Start Assist	■	■	■	■
Hill Descent Control	■	■	■	■
Security Etched Glass	■	■	■	■
Insurance Approved Immobiliser	■	■	■	■
Front, Side & Curtain SRS Airbags*2	■	■	■	■
Height Adjustable Front Seatbelts with Pretensioner & Load Limiter	■	■	■	■
2 x Three-Point Rear Seatbelts (Side)	-	-	■	-
3 x Three-Point Rear Seatbelts (Side & Centre)	-	-	-	■
ISOFIX Child Seat Anchors with Top Tether Anchors (2 x Rear Side)	-	-	-	■
Rear Door Child Locks	-	-	-	■
Seatbelt Reminder Indicator (Driver & Passenger)	■	■	■	■
Door Open Warning Light	■	■	■	■
ENTERTAINMENT				
Bluetooth® Connectivity	■	■	■	■
RDS Radio	■	■	■	■
Two Door Mounted Speakers	■	■	■	■
Front USB Port	■	■	■	■

TECHNICAL SPECIFICATION

	SINGLE CAB 4X2	SINGLE CAB 4X4	EXT CAB 4X4	DOUBLE CAB 4X4
ENGINE				
Engine Type			RZ4E	
Fuel Type			Diesel	
Arrangement Cylinders			4, In line	
Firing Order			1-3-4-2	
Bore mm			80.0	
Stroke mm			94.4	
Compression			15.9	
Engine Capacity cm ³			1898	
Idle Speed			750+/- 25	
Fuel Tank Capacity Litres			76	
GEAR RATIOS				
1	4.942	4.942	4.942	4.942
2	2.430	2.430	2.430	2.430
3	1.428	1.428	1.428	1.428
4	1.000	1.000	1.000	1.000
5	0.749	0.749	0.749	0.749
6	0.634	0.634	0.634	0.634
Reverse	4.597	4.597	4.597	4.597
Final Drive	3.909	4.300	4.300	4.300
PERFORMANCE				
Net Power PS @ rpm			164 @ 3600	
Torque Nm @ rpm			360 @ 2000 - 2500	
Maximum Speed (mph)			112	
Acceleration (0-62mph) sec			12.7	
FUEL CONSUMPTION MPG				
Urban	38.7	37.2	37.2	37.2
Extra Urban	50.4	42.8	42.8	42.8
Combined	45.6	40.4	40.4	40.4
CO ₂ Emissions g/km	163	183	183	183
Emissions Class	Euro 6	Euro 6	Euro 6	Euro 6

	SINGLE CAB 4X2	SINGLE CAB 4X4	EXT CAB 4X4	DOUBLE CAB 4X4
DIMENSIONS				
Length mm	5315	5315	5295	5295
Width mm	1775	1860	1860	1860
Height mm	1685	1780	1780	1785
Front Overhang mm	905	905	905	905
Rear Overhang mm	1315	1315	1295	1295
Wheelbase mm	3095	3095	3095	3095
Track (Front & Rear) mm	1510	1570	1570	1570
Ground Clearance mm (Rear Axle)	225	225	225	225
Approach Angle (deg.)	30	30	30	30
Departure Angle (deg.)	22	22	22	22
Ramp Angle (deg.)	22	22	22	22

	SINGLE CAB 4X2	SINGLE CAB 4X4	EXT CAB 4X4	DOUBLE CAB 4X4
LOAD BED DIMENSIONS				
Length mm	2305	2305	1795	1485
Width mm	1570	1570	1530	1530
Depth mm	440	440	465	465

	SINGLE CAB 4X2	SINGLE CAB 4X4	EXT CAB 4X4	DOUBLE CAB 4X4
WEIGHTS				
Kerb Weight kg	1718	1836	1888	1909
Gross Vehicle Weight kg	3000	3050	3050	3050
Payload** kg	1282	1214	1162	1141
Max Front Axle kg	1250	1350	1350	1350
Max Rear Axle kg	1870	1870	1870	1870
Trailer Weight Braked kg	2500	3500	3500	3500
Trailer Weight Unbraked kg	750	750	750	750
Nose Weight kg	100	245	245	245
Gross Train Weight kg	5500	6000	6000	6000

	SINGLE CAB 4X2	SINGLE CAB 4X4	EXT CAB 4X4	DOUBLE CAB 4X4
WHEELS & TYRES				
Tyres	215/70R15C	245/70R16	245/70R16	245/70R16
Wheels	15x6.5 J	16x7 J	16x7 J	16x7 J

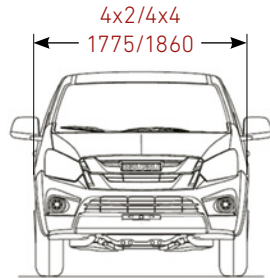
	SINGLE CAB 4X2	SINGLE CAB 4X4	EXT CAB 4X4	DOUBLE CAB 4X4
INSURANCE GROUPS				
Insurance Groups	39A	39A	39A	39A

** Maximum payload capacity as defined by HM Revenue and Customs for VAT purposes.

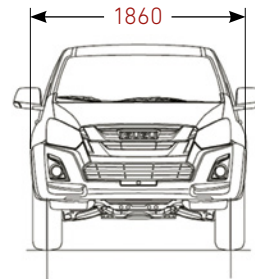
Payload is gross vehicle weight minus kerb weight. Kerb weights quoted are for vehicles with standard specification. Kerb weight and payload may be influenced by badge level, factory options and dealer fitted accessories. It is the responsibility of the vehicle operator to ensure their vehicle is legally compliant for road use.

DIMENSIONS & CAPACITIES

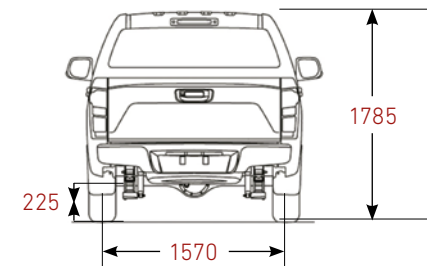
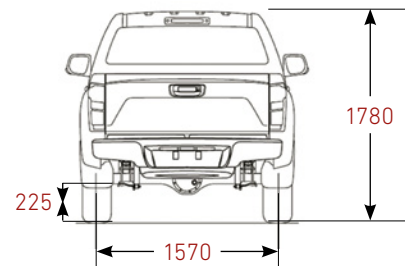
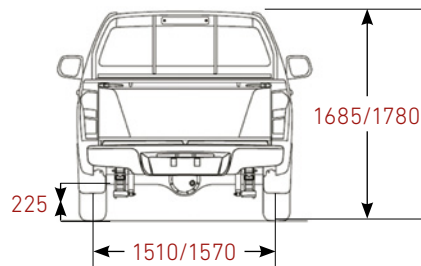
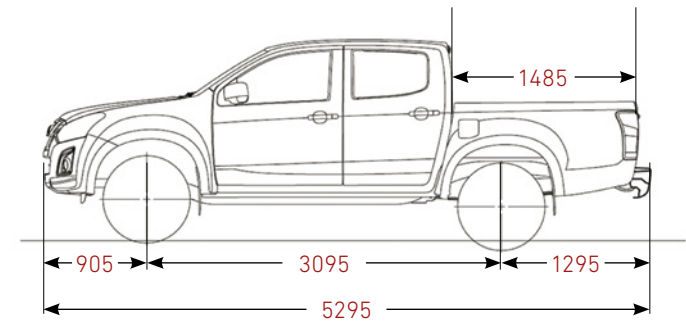
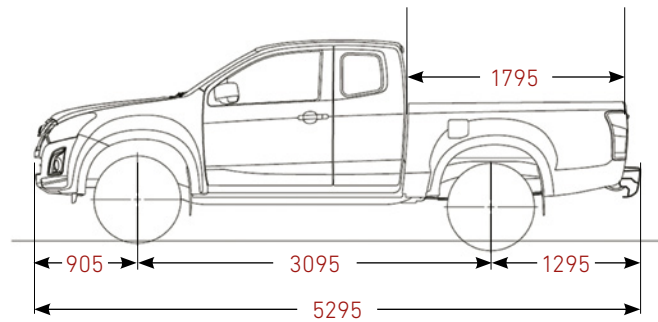
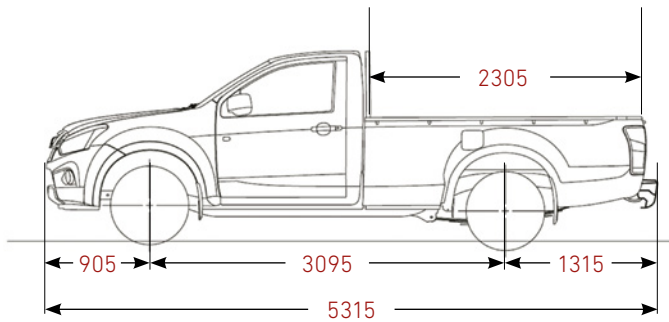
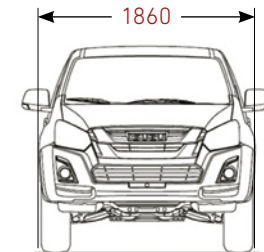
SINGLE CAB 4X2 & 4X4



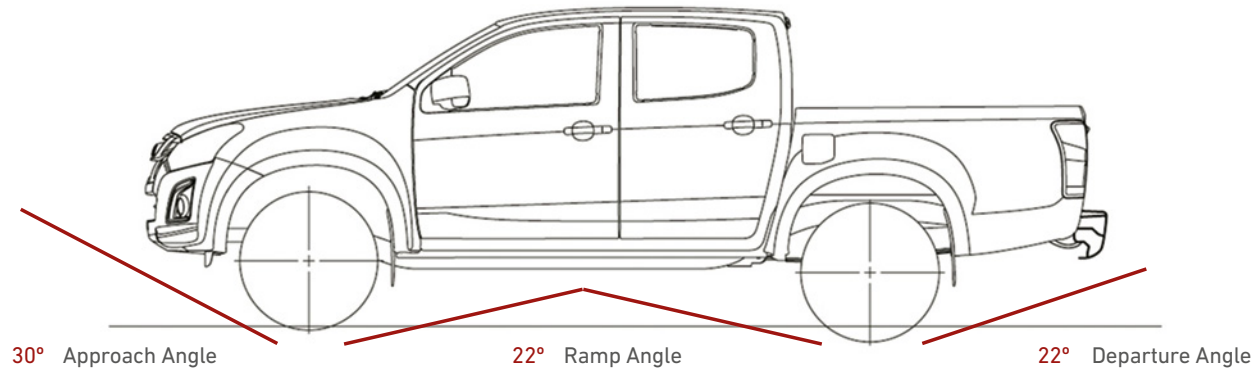
EXTENDED CAB 4X4



DOUBLE CAB 4X4



All measurements in millimetres.



Max Towing

4x2	2,500kg
4x4	3,500kg

Turning Circle

4x2	11.8m
4x4	12.2m

Ground Clearance (Rear Axle)

225mm

Official Wading Depth

4x2	400mm
4x4	600mm

Tyres

4x2	215/70R15C
4x4	245/70R16

Departure Angle

22°

Approach Angle

30°

Load Bed (Interior)

	Length	Width	Depth
Single Cab	2,305mm	1,570mm	440mm
Extended Cab	1,795mm	1,530mm	465mm
Double Cab	1,485mm	1,530mm	465mm

Wheels

4x2	15x6.5 J
4x4	16x7 J

Ramp Angle

22°

Tilt Angle (excluding 4x2)

49°



isuzu.co.uk

Isuzu (UK) LTD reserve the right to change specifications and equipment without notice. Features and specification may vary in appearance and/or availability. For full details please contact your local Isuzu dealer or visit isuzu.co.uk

Safety beacons, work light, tow bar and canopy are optional extras.

Part No. IB535

