

**ISUZU**  
THE PICK-UP  
PROFESSIONALS

*THE AWARD WINNING ISUZU D-MAX*

# BLADE



# ***ISUZU D-MAX BLADE THE PERFECT PARTNER***

A no-compromise combination of dependability and luxury, the Isuzu D-Max Blade is a thoroughly modern pick-up that's truly fit for purpose.

The Blade combines the ability to turn heads and put in a hard day's work.

For all its stylish features: tinted windows, side steps, 18" alloy wheels and leather interior, this is no 'soft-roader'. Underneath it all, the Blade is as capable of getting the job done as any of our other pick-ups.

It's for professionals who like to work in style.





**5** YEAR  
125,000  
MILE  
WARRANTY

**3.5**  
TONNES  
TOWING  
CAPACITY

— OVER —  
**1.0**  
TONNE  
PAYLOAD

**164**  
PS

— OVER —  
**40**  
MPG  
COMBINED

**EURO 6**  
**NO**  
ADBLUE

**5** YEAR  
UK & EU  
ROADSIDE  
ASSISTANCE

**6** YEAR  
ANTI-CORROSION  
WARRANTY

#Over 40 MPG figure applies to the Blade manual transmission. MPG figures are official EU test figures for comparative purposes and may not reflect real driving results. Official fuel figures for the Isuzu D-Max Blade range in MPG (l/100km): Urban 30.4-37.2 (9.3-7.6); Extra Urban 40.9-42.8 (6.9-6.6); Combined 36.2-40.4 (7.8-7.0). CO2 Emissions 183-205 g/km. For full details please contact your local Isuzu dealer or visit [isuzu.co.uk](http://isuzu.co.uk) \*3.5 tonne towing applies to all 4x4 models. \*\*125,000 miles/5 year (whichever comes first) warranty applies to all new Isuzu D-Max models. Terms and conditions apply. Visit [isuzu.co.uk](http://isuzu.co.uk)

**CHOSEN TO  
PERFORM**



## **ENGINE**

Designed to tackle the toughest days, the turbo diesel engine delivers 164PS and 360Nm of torque. The Isuzu D-Max Blade is capable of over 40MPG combined and meets Euro 6 emissions standards without the need for AdBlue.

## **TRANSMISSION**

Equipped with either a 6-speed manual or 6-speed automatic transmission. The automatic transmission features a gear change control learning function that can automatically adapt gear changes to suit driving circumstances.

## **PULLING POWER**

With a towing capacity of 3.5 tonnes, the Blade is a remarkable pick-up truly fit for purpose.

## **PAYLOAD**

With a maximum payload of up to 1,098kg, the Blade offers incredible capability.



\*Over 40MPG figure applies to manual transmission models.

## **TRAILER SWAY CONTROL**

Trailer sway control uses sensors to detect trailer sway and reduce vehicle speed if sway is identified.

## **BRAKE OVERRIDE SYSTEM**

Designed to work if the accelerator and brake pedals are accidentally pressed simultaneously. Engine power will be cut and only the brakes will be applied instead.

## **HILL START ASSIST & HILL DESCENT CONTROL**

Stay in control with two systems that help negotiate hills smoothly and safely.

## **5 YEARS PEACE OF MIND**

The Isuzu D -Max Blade offers a 5 year/125,000 mile warranty and 5 year roadside assistance across UK and Europe.



## **EXTERIOR FEATURES**

The Blade pulls out all the stops when it comes to exterior styling. Loaded with extras, it is designed for your every need.

### **MAKE IT YOURS**

Choose from a lockable colour coded Aeroklas canopy or stylish black roller cover with rear style bar as standard.

### **LED DAYTIME RUNNING LIGHTS**

High-level response and better light distribution, to improve visibility and power efficiency.

### **REVERSING CAMERA**

Manoeuvre in confidence with a reversing camera as standard incorporated into the tailgate handle for excellent visibility when reverse parking.

### **SUSPENSION**

The Blade is equipped with a 3 piece leaf spring suspension for ride comfort and to reduce noise.

### **DARK GREY ALLOY WHEELS**

The Isuzu D-Max Blade benefits from a new 18" alloy wheel design. A full size spare wheel comes as standard.

### **KEYLESS ENTRY**

Start your day with the secure and convenient keyless entry with push button start system. Simply keep your key in the pocket, press the button and you are ready to go.





## ***INTERIOR FEATURES***

A powerful vehicle can also be comfortable. Inside, the Blade offers a range of creature comforts, such as Bluetooth® connectivity, Apple CarPlay™ and Android Auto™, cruise control, leather interior, puddle lamps and a reversing camera, meaning that you never have to compromise whatever you may be doing.



# BLADE



Model shown in Cosmic Black Mica





## **WORKS HARD, PLAYS HARDER**

The Isuzu D-Max Blade comes with the following specification:

### **EXTERIOR**

- Tinted Windows
- Side Steps
- Tailgate Damper
- Colour Coded Aeroklas Canopy or Black Roller Cover with Rear Style Bar

### **WHEELS**

- 18" Alloy Wheels with Locking Wheel Nuts
- Full Size Spare Wheel – Alloy

### **INTERIOR**

- Leather Upholstery
- Heated Front Seats
- Leather Steering Wheel
- Blade Branded Carpet Mats
- Illuminated Front Footwells, Illuminated Aluminium Door Sill Covers & 'Blade' Puddle Lamps

### **COMFORT & CONVENIENCE**

- Keyless Entry & Push Button Start System
- Steering Wheel Mounted Audio & Cruise Controls
- Automatic Air Conditioning

### **SAFETY & SECURITY**

- ISOFIX Child Seat Anchors with Top Tether Anchors
- Front & Rear Parking Sensors
- Reversing Camera
- Alarm
- Trailer Sway Control

### **ENTERTAINMENT**

- 9" Multifunction Colour Touchscreen
- DAB Radio
- Apple CarPlay™ & Android Auto™
- Satellite Navigation
- HDMI Port
- NINE Speakers including Subwoofer
- Front & Rear USB Ports
- Bluetooth® Connectivity

### **COLOURS**



Pearl      Cosmic  
White      Black Mica



Obsidian      Spinel  
Grey Mica      Red Mica



# VEHICLE SPECIFICATION

EXTERIOR	
Projector Headlights	■
LED Daytime Running Lights	■
LED Rear Lights	■
Front Fog Lights	■
Rear Fog Lights	■
Dark Grey Radiator Grille	■
Body Coloured Front Bumper	■
Black Rear Bumper	■
Side Steps	■
Folding, Heated, Cosmic Black Door Mirrors with Side Indicator Repeaters	■
Chrome Door Handles	■
Heated Rear Screen	■
Integrated Fuel Filler Cap	■
Shark Fin Antenna	■
Rear Load Liner	■
Roof Bars	■
Tailgate Damper	■
Tinted Windows	■
Colour Coded Aeroklas Canopy* <sup>1</sup> or Black Roller Cover with Rear Style Bar	□
WHEELS	
18" Alloy Wheels	■
Locking Wheel Nuts	■
Full Size Spare Wheel - Alloy	□
INTERIOR	
Leather Upholstery	■
Height Adjustable Driver's Seat (Manual)	■
Heated Front Seats	■
Front Seatback Map Pockets	■
Flat Folding Rear Seats	■
60/40 Folding Seat Base	■
Under Seat Base Storage	■
Height Adjustable Front Headrests	■
Height Adjustable Rear Headrests	■
Leather Steering Wheel	■
Front Centre Armrest	■
Front Cup Holders (Centre Console & Dash - Driver & Passenger Sides)	■
Front Door Pockets with Bottle Holder	■
Rear Cup Holder (in Centre Console)	■
Rear Centre Armrest	■
Rear Door Pockets with Bottle Holder	■
Carpet Floor Trim	■
Blade Branded Carpet Mats	■
Driver's Foot Rest	■
Illuminated Front Footwells, Illuminated Aluminium Door Sill Covers & "Blade" Puddle Lamps	■

■ = standard □ = no cost option

COMFORT & CONVENIENCE	
Power Windows (Front & Rear)* <sup>2</sup>	■
Remote Control Central Locking	■
Keyless Entry and Push Button Start System	■
Map Lights	■
Driver & Passenger Sun Visors with Passenger Vanity Mirror	■
Sun Glass Holder / Overhead Console	■
Height Adjustable Steering Wheel	■
Steering Wheel Mounted Audio & Cruise Controls	■
Two 12-Volt Power Outlets (Top Glove Box & Instrument Panel)	■
Low Fuel Warning Light	■
Gear Shift Indicator (Manual Only)	■
Multi-Information Display	■
CLIMATE CONTROL	
Automatic Air Conditioning	■
Rear Heating Ducts	■
SAFETY & SECURITY	
ESC (Electronic Stability Control)	■
Trailer Sway Control	■
ABS (Anti-Lock Braking System)	■
EBD (Electronic Brakeforce Distribution)	■
Brake Assist System	■
Hill Start Assist	■
Hill Descent Control	■
Security Etched Glass	■
Insurance Approved Immobiliser	■
Alarm	■
Front, Side & Curtain SRS Airbags* <sup>3</sup>	■
Height Adjustable Front Seatbelts with Pretensioner & Load Limiter	■
3 x Three-Point Rear Seatbelts (Side & Centre)	■
ISOFIX Child Seat Anchors with Top Tether Anchors (2 x Rear Side)	■
Rear Door Child Locks	■
Seatbelt Reminder Indicator (Driver & Passenger)	■
Door Open Warning Light	■
Front & Rear Parking Sensors	■
Reversing Camera	■
ENTERTAINMENT	
Bluetooth® Connectivity	■
DAB Radio	■
Apple CarPlay™ & Android Auto™ (functionality available with compatible smartphones)	■
9" Multifunction Colour Touchscreen	■
Satellite Navigation	■
Nine Speakers (2 x Front Door, 2 x Rear Door, 2 x Tweeters, 2 x Roof Mounted & 1 Subwoofer)	■
Front USB Port	■
Rear USB Port	■
HDMI Port	■

\*<sup>1</sup> Aeroklas Canopy includes: wide opening tailgate (upper section), remote locking for tailgate (upper section), heated rear windscreen & roof spoiler. \*<sup>2</sup> Driver side has auto up/down function, with pinch protection and timer.

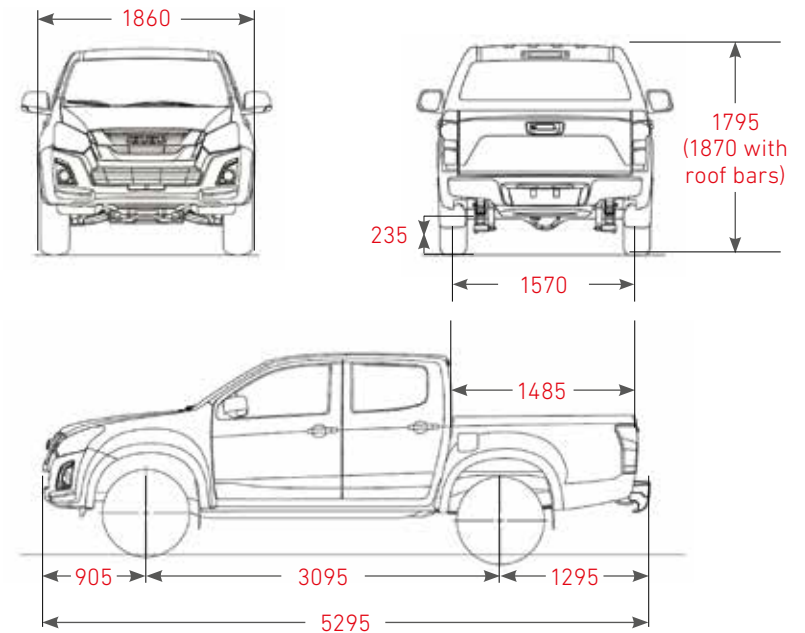
\*<sup>3</sup> SRS: Supplemental Restraint System. Must be used in conjunction with seatbelts.

# TECHNICAL SPECIFICATION

	BLADE MANUAL	BLADE AUTOMATIC
<b>ENGINE</b>		
Engine Type		RZ4E
Fuel Type		Diesel
Arrangement Cylinders	4, In line	
Firing Order	1-3-4-2	
Bore mm	80.0	
Stroke mm	94.4	
Compression	15.9	
Engine Capacity cm <sup>3</sup>	1898	
Idle Speed	750+/- 25	
Fuel tank capacity litres	76	
<b>GEAR RATIOS</b>		
1	4.942	3.600
2	2.430	2.090
3	1.428	1.488
4	1.000	1.000
5	0.749	0.687
6	0.634	0.580
Reverse	4.597	3.732
Final Drive	4.300	4.300
<b>PERFORMANCE</b>		
Net Power PS @ rpm	164 @ 3600	
Torque Nm @ rpm	360 @ 2000 - 2500	
Maximum Speed (mph)	112	
Acceleration (0-62mph) sec	12.7	13.0
<b>FUEL CONSUMPTION MPG</b>		
Urban	37.2	30.4
Extra Urban	42.8	40.9
Combined	40.4	36.2
CO <sub>2</sub> emissions g/km	183	205
Emissions Class	Euro 6	Euro 6
<b>DIMENSIONS</b>		
Length mm	5295	5295
Width mm	1860	1860
Height (Including Roof Bars) mm	1870	1870
Front Overhang mm	905	905
Rear Overhang mm	1295	1295
Wheelbase mm	3095	3095
Track (front & rear) mm	1570	1570
Ground Clearance mm (Rear Axle)	235	235
Approach Angle (deg.)	30	30
Departure Angle (deg.)	23	23
Ramp Angle (deg.)	22	22

	BLADE MANUAL	BLADE AUTOMATIC
<b>LOAD BED DIMENSIONS</b>		
Length mm	1485	1485
Width mm	1530	1530
Depth mm	465	465
<b>WEIGHTS</b>		
Kerb Weight kg	1952	1964
Gross Vehicle Weight kg	3050	3050
Payload** kg	1098	1086
Max Front Axle kg	1350	1350
Max Rear Axle kg	1870	1870
Trailer Weight Braked kg	3500	3500
Trailer Weight Unbraked kg	750	750
Nose Weight kg	245	245
Gross Train Weight kg	6000	6000
<b>WHEELS &amp; TYRES</b>		
Tyres	255/60R18	255/60R18
Wheels	18x7 J	18x7 J
<b>INSURANCE GROUPS</b>		
Insurance Groups	40A	40A

## DIMENSIONS



\*\* Maximum payload capacity as defined by HM Revenue and Customs for VAT purposes.

Payload is gross vehicle weight minus kerb weight. Kerb weights quoted are for vehicles with standard specification. Kerb weight and payload may be influenced by badge level, factory options and dealer fitted accessories. It is the responsibility of the vehicle operator to ensure their vehicle is legally compliant for road use.



isuzu.co.uk

Isuzu (UK) LTD reserve the right to change specifications and equipment without notice. Features and specification may vary in appearance and/or availability. For full details please contact your local Isuzu dealer or visit isuzu.co.uk

Part No. IB534

