

**ISUZU**  
**THE PICK-UP**  
**PROFESSIONALS**

THE AWARD WINNING **ISUZU D-MAX**  
**ALL-PURPOSE**  
**RANGE**



[isuzu.co.uk](http://isuzu.co.uk)



# ISUZU D-MAX **ALL-PURPOSE RANGE**

---

## **WE ARE THE PICK-UP PROFESSIONALS**

Pick-ups are all we do, all we know. This single minded specialism means that we make outstanding vehicles fully equipped for work and play. A hardworking range that'll never say no to a challenge.

## **OUR ALL-PURPOSE RANGE: YOUR NO COMPROMISE PICK-UP**

Every single component of the all-purpose Isuzu D-Max range has been designed and engineered to help make your day run that bit better. Choose from the Isuzu D-Max Eiger, Yukon or Utah, three pick-ups that combine capability, comfort and control.







**5** YEAR  
125,000  
MILE  
WARRANTY

**3.5**  
TONNES  
TOWING  
CAPACITY

— OVER —  
**1.1**  
TONNE  
PAYLOAD

**164**  
PS

— OVER —  
**40**  
MPG  
COMBINED

**EURO 6**  
**NO**  
ADBLUE

**5** YEAR  
UK & EU  
ROADSIDE  
ASSISTANCE

**6** YEAR  
ANTI-CORROSION  
WARRANTY

#Over 40 MPG figure applies to manual transmission models. MPG figures are official EU test figures for comparative purposes and may not reflect real driving results. Official fuel figures for the Isuzu D-Max All-Purpose Range in MPG (l/100km): Urban 30.4-37.2 (9.3-7.6); Extra Urban 40.9-42.8 (6.9-6.6); Combined 36.2-40.4 (7.8-7.0). CO<sub>2</sub> Emissions 183-205 g/km. For full details please contact your local Isuzu dealer or visit [isuzu.co.uk](http://isuzu.co.uk) \*3.5 tonne towing applies to all 4x4 models. \*\*125,000 miles/5 year (whichever comes first) warranty applies to all new Isuzu D-Max models. ^Excluding Utah. Terms and conditions apply. Visit [isuzu.co.uk](http://isuzu.co.uk)



# THE ULTIMATE ALL-ROUNDER



## ENGINE

Designed to tackle the working day, the turbo diesel engine delivers 164PS and 360Nm of torque. The Isuzu D-Max is capable of over 40MPG combined and meets Euro 6 emissions standards without the need for AdBlue.



## TRANSMISSION

The Isuzu D-Max is equipped with either a 6-speed manual or 6-speed automatic transmission. The automatic transmission features a gear change control learning function that can automatically adapt gear changes to suit driving circumstances.



## PULLING POWER

Every 4x4 model in the Isuzu D-Max range is able to tow the legal maximum of 3.5 tonnes.



## PAYLOAD

With a maximum payload of up to 1,161kg on Double Cab models, the Isuzu D-Max is made to work.





<sup>†</sup>Only available for Isuzu D-Max Yukon and Utah models. <sup>®</sup>Only available on Isuzu D-Max Utah. Model shown is an Isuzu D-Max Utah. Specification varies according to version. \*Over 40MPG figure applies to manual transmission models.

## TRAILER SWAY CONTROL

Trailer sway control uses sensors to detect trailer sway and reduce vehicle speed if sway is identified.

## BRAKE OVERRIDE SYSTEM

Designed to work if the accelerator and brake pedals are accidentally pressed simultaneously. Engine power will be cut and only the brakes will be applied instead.

## HILL START ASSIST & HILL DESCENT CONTROL

Stay in control with two systems that help negotiate hills smoothly and safely.

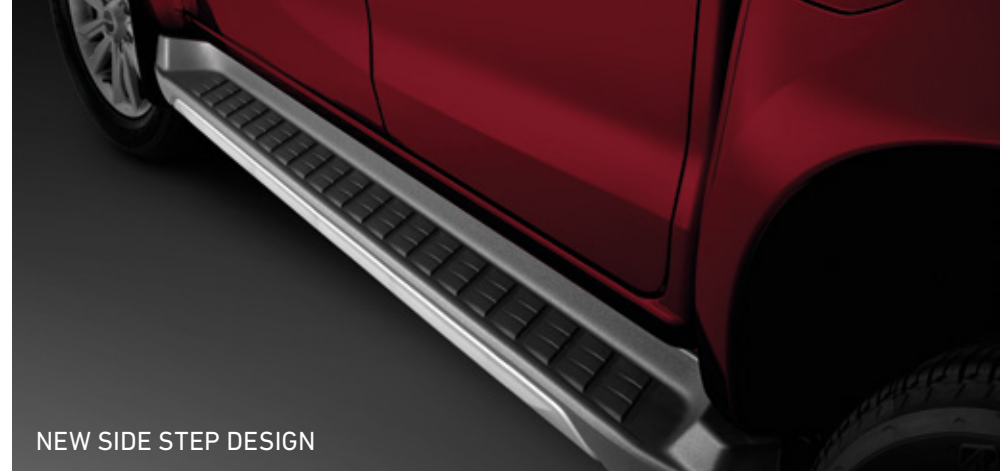
## 5 YEARS PEACE OF MIND

All Isuzu D-Max models have a 5 year/125,000 mile warranty and 5 year roadside assistance across UK and Europe.





REVERSE CAMERA  
(EIGER ONLY)



NEW SIDE STEP DESIGN



LED DAYTIME RUNNING LIGHTS



ALLOY WHEELS



REVERSING CAMERA  
(YUKON & UTAH)



4x4 SHIFT ON THE FLY SYSTEM

## FEATURES THAT WORK

Designed to be up to the challenge, whatever conditions it might face, the Isuzu D-Max has a powerful presence, reflecting its powerful performance.

### REVERSING CAMERA

Manoeuvre in confidence with a reversing camera as standard for excellent visibility when reverse parking.

### 4x4 SHIFT ON THE FLY

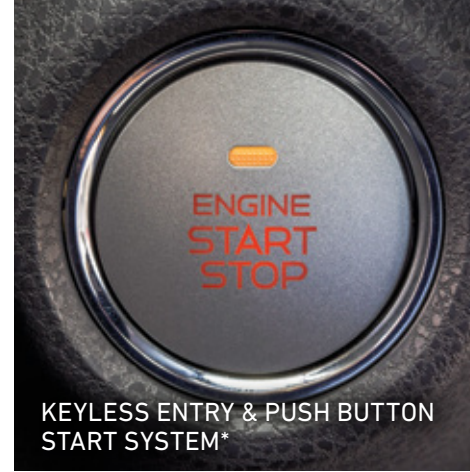
When the terrain gets rough the Isuzu D-Max has you in safe hands with 4x4 shift on the fly. Selectable up to 60mph, tackle low traction surfaces with ease without the need to stop to engage four wheel drive<sup>^</sup>.

<sup>^</sup>To engage 4L, the vehicle must be completely stopped.





MULTI-INFORMATION DISPLAY\*



KEYLESS ENTRY & PUSH BUTTON START SYSTEM\*



AUTOMATIC AIR CONDITIONING\*



FRONT & REAR USB PORTS



APPLE CARPLAY™ & ANDROID AUTO™\*



ELECTRICALLY ADJUSTABLE DRIVERS SEAT\*



STEERING WHEEL CONTROLS\*

## INTERIOR FEATURES

A powerful vehicle can also be comfortable. Inside, the Isuzu D-Max offers a range of creature comforts, such as Bluetooth® connectivity, cruise control\* and a reversing camera, meaning that you never have to compromise.

\*According to version.



# EIGER

---



## MAKES LIGHT OF HARD WORK

Not afraid of putting in the hours, the Eiger Double Cab gives you features and choices that make the working day go that much easier. Manual or automatic transmission, reversing camera and a height adjustable driver's seat are just some of the convenient features in this model. Plus, a body coloured front bumper, 16" alloy wheels and heated chrome door mirrors mean you end the day looking as good as when you started.







**The Isuzu D-Max Eiger comes with the following specification as standard:**

#### **EXTERIOR**

- Projector Headlights
- LED Daytime Running Lights
- Rear Fog Lights
- Medium Grey Radiator Grille
- Chrome Door Handles
- Body Coloured Front Bumper
- Folding, Heated, Chrome Door Mirrors with Side Indicator Repeaters
- Heated Rear Screen

#### **WHEELS**

- 16" Alloy Wheels with Locking Wheel Nuts
- Full Size Spare Wheel – Steel

#### **INTERIOR**

- Cloth Upholstery
- Height Adjustable Driver's Seat (Manual)
- Flat Folding Rear Seats with Under Seat Base Storage
- Carpet Floor Trim

#### **COMFORT & CONVENIENCE**

- Front & Rear Power Windows
- Remote Control Central Locking
- Manual Air Conditioning
- Map Lights

#### **SAFETY & SECURITY**

- Trailer Sway Control
- ABS, ESC & EBD
- Brake Assist System
- Hill Start Assist & Hill Descent Control
- Security Etched Glass
- Insurance Approved Immobiliser
- Alarm
- ISOFIX Child Seat Anchors with Top Tether Anchors (2 x Rear Side)
- Reversing Camera
- Three-Point Rear Seatbelts

#### **ENTERTAINMENT**

- Bluetooth® Connectivity
- RDS Radio
- CD Player
- Six Speakers (2 x Front Door, 2 x Rear Door & 2 x Tweeters)
- Front & Rear USB Ports





# YUKON

---



## ENJOY GETTING YOUR WORK DONE

The Yukon is a pick-up you'll feel very comfortable working with. Available as an Extended or Double Cab with a 7" multifunction colour touchscreen and a rear load liner to help with the hard stuff. A six or eight speaker (depending on model) sound system, leather steering wheel with built-in audio and cruise controls and map lights all help ensure you can work in style.







Tow Bar optional

**The Isuzu D-Max Yukon comes with the following specification.**

#### **EXTERIOR**

- Bright Chrome Radiator Grille
- Body Coloured Front Bumper
- Folding, Heated, Chrome Door Mirrors with Side Indicator Repeaters
- Chrome Door Handles
- Heated Rear Screen
- Rear Load Liner
- Side Steps

#### **WHEELS**

- 18" Alloy Wheels with Locking Wheel Nuts
- Full Size Spare Wheel – Alloy

#### **INTERIOR**

- Cloth Upholstery
- Height Adjustable Driver's Seat (Manual)
- Flat Folding Rear Seats\*
- Under Seat Base Storage
- Carpet Floor Trim

#### **COMFORT & CONVENIENCE**

- Power Windows (Front & Rear)\*
- Sun Glass Holder / Overhead Console
- Steering Wheel Mounted Audio & Cruise Controls
- Multi-Information Display

#### **SAFETY & SECURITY**

- Hill Start Assist & Hill Descent Control
- ISOFIX Child Seat Anchors with Top Tether Anchors\*
- Reversing Camera
- Alarm
- Trailer Sway Control

#### **ENTERTAINMENT**

- 7" Multifunction Colour Touchscreen
- Bluetooth® Connectivity
- CD Player
- Front & Rear USB Ports



\*Double Cab Models.



# UTAH

---



## COMFORT THAT WORKS

The level of luxury you'll find in the Utah Double Cab combines work with pleasure. Keyless entry, push button start, rear parking sensors, automatic air conditioning, heated front seats, leather upholstery\*, electric height adjustable driver's seat: they're not gimmicks, they're to help you concentrate on the job in hand. A lot of hard work has gone into making the Utah a luxury pick-up that serves a serious purpose.







The Isuzu D-Max Utah comes with the following specification.

#### EXTERIOR

- Bright Chrome Radiator Grille
- Folding & Heated Chrome Door Mirrors
- Shark Fin Antenna
- Roof Bars
- Rear Load Liner

#### COMFORT & CONVENIENCE

- Keyless Entry & Push Button Start System
- Multi-Information Display
- Steering Wheel Mounted Audio & Cruise Controls
- Automatic Air Conditioning

#### WHEELS

- 18" Alloy Wheels with Locking Wheel Nuts
- Full Size Spare Wheel – Alloy

#### SAFETY & SECURITY

- Alarm
- Rear Parking Sensors
- Reversing Camera
- Trailer Sway Control

#### INTERIOR

- Leather Upholstery\*
- Height Adjustable Driver's Seat (Electric)
- Heated Front Seats
- Leather Steering Wheel

#### ENTERTAINMENT

- 7" Multifunction Colour Touchscreen
- DAB Radio
- Apple CarPlay™ & Android Auto™
- Satellite Navigation
- Eight Speakers
- Front & Rear USB Ports



\*Leather and other materials.



# RANGE OVERVIEW

## EIGER

Projector Headlights	Reversing Camera
LED Daytime Running Lights	16" Alloy Wheels
Hill Start Assist	Folding, Heated Chrome Door Mirrors with Side Indicator Repeaters
Hill Descent Control	Chrome Door Handles
Full Size Spare Wheel - Steel	Body Coloured Front Bumper
Power Windows	Lockable Tailgate
Remote Control Central Locking	Height Adjustable Driver's Seat (Manual)
Manual Air Conditioning	CD Player
RDS Radio	6 Speakers
Bluetooth® Connectivity	Front & Rear USB Ports
Two 12-Volt Power Outlets	Map Lights
ABS (Anti-lock Braking System)	Carpet Floor Trim
ESC (Electronic Stability Control)	Rear Centre Armrest
EBD (Electronic Brakeforce Distribution)	Alarm
Insurance Approved Immobiliser	Trailer Sway Control

## YUKON Eiger plus:

7" Multifunction Colour Touchscreen
8 Speakers (Double Cab)
Multi-Information Display
Leather Steering Wheel
Steering Wheel Mounted Audio & Cruise Controls
18" Alloy Wheels
Full Size Spare Wheel - Alloy
Front Fog Lights
Rear Load Liner
Side Steps

## UTAH Yukon plus:

Keyless Entry & Push Button Start System
Satellite Navigation
Shark Fin Antenna
DAB Radio
Apple CarPlay™ & Android Auto™
Leather Upholstery*
Heated Front Seats
Height Adjustable Driver's Seat (Electric)
Automatic Air Conditioning
Roof Bars
Remote Locking Tailgate
Rear Parking Sensors

NB. CD Player Optional.

\*Leather and other materials.



# COLOURS

---



**SPLASH WHITE**



**TITANIUM SILVER MET**



**OBSIDIAN GREY MICA**



**COSMIC BLACK MICA**



**SPINEL RED MICA**

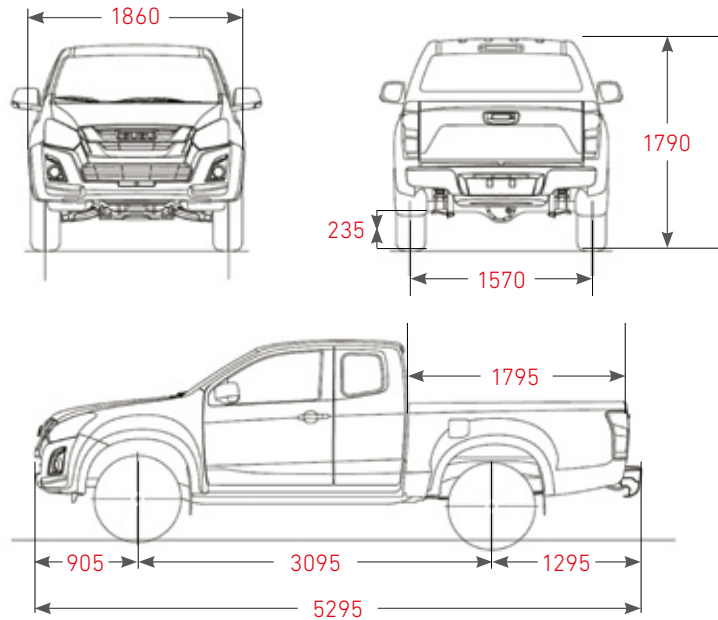


**SAPPHIRE BLUE MICA**

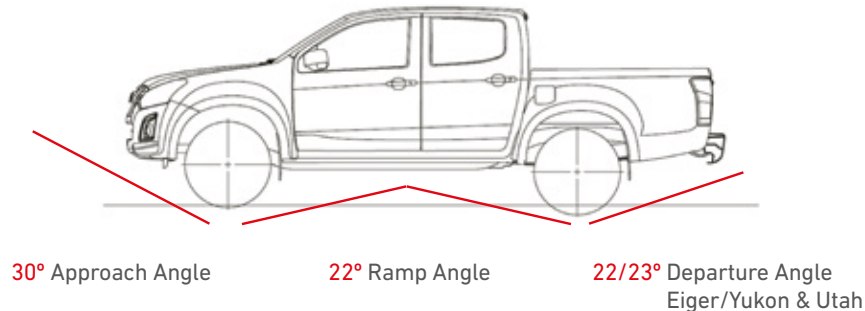
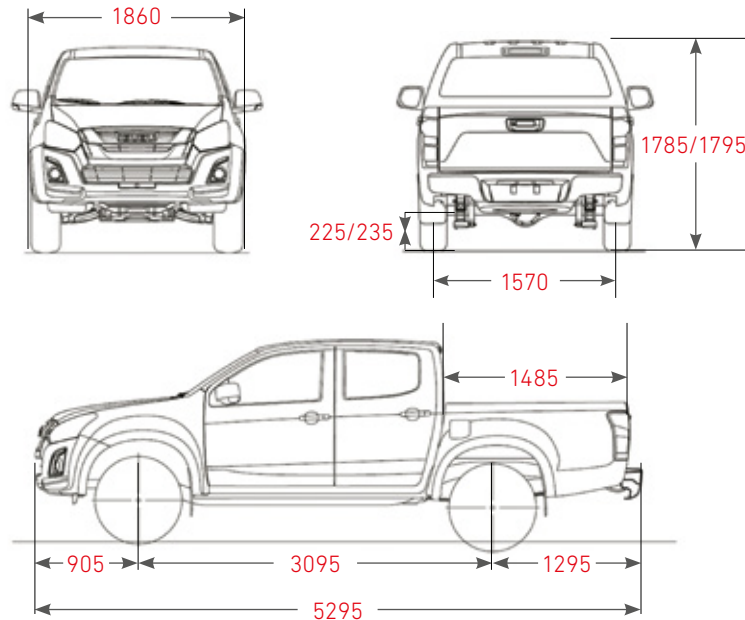


# DIMENSIONS & CAPACITIES

## YUKON EXTENDED CAB 4X4



## DOUBLE CAB 4X4 EIGER / YUKON & UTAH



**MAX TOWING** 3,500kg

### GROUND CLEARANCE (REAR AXLE)

Eiger 225mm

Yukon & Utah 235mm

**OFFICIAL WADING DEPTH** 600mm

### LOAD BED (INTERIOR)

Extended Cab

L 1,795mm. W 1,530mm. D 465mm

Double Cab

L 1,485mm. W 1,530mm. D 465mm

### DEPARTURE ANGLE

Eiger 22°

Yukon & Utah 23°

**APPROACH ANGLE** 30°

**RAMP ANGLE** 22°

**TILT ANGLE** 49°

**TURNING CIRCLE** 12.2m

### TYRES & WHEELS

Eiger 245/70R16 | 16x7 J

Yukon & Utah 255/60R18 | 18x7 J





## CREATE YOUR OWN

---

We stock an extensive range of accessories specifically designed for your Isuzu D-Max. Visit [isuzu.co.uk/accessories](https://www.isuzu.co.uk/accessories) to see the full range and download an accessories brochure.





# VEHICLE SPECIFICATIONS

	EIGER DOUBLE CAB	YUKON EXTENDED CAB	YUKON DOUBLE CAB	UTAH DOUBLE CAB
<b>EXTERIOR</b>				
Projector Headlights	■	■	■	■
LED Daytime Running Lights	■	■	■	■
LED Rear Lights	-	■	■	■
Front Fog Lights	-	■	■	■
Rear Fog Lights	■	■	■	■
Medium Grey Radiator Grille	■	-	-	-
Bright Chrome Radiator Grille	-	■	■	■
Body Coloured Front Bumper	■	■	■	■
Black Rear Bumper	■	-	-	-
Black Rear Bumper with Chrome Trim	-	■	■	■
Side Steps	-	■	■	■
Folding, Heated, Chrome Door Mirrors with Side Indicator Repeaters	■	■	■	■
Chrome Door Handles	■	■	■	■
Heated Rear Screen	■	■	■	■
Integrated Fuel Filler Cap	■	■	■	■
Shark Fin Antenna	-	-	-	■
Rear Load Liner	-	■	■	■
Roof Bars	-	-	-	■
<b>WHEELS</b>				
16" Alloy Wheels	■	-	-	-
18" Alloy Wheels	-	■	■	■
Locking Wheel Nuts	■	■	■	■
Full Size Spare Wheel - Steel	□	-	-	-
Full Size Spare Wheel - Alloy	-	□	□	□
<b>COMFORT AND CONVENIENCE</b>				
Power Windows (Front Only)*1	-	■	-	-
Power Windows (Front & Rear)*1	■	-	■	■
Remote Control Central Locking	■	■	■	■
Keyless Entry and Push Button Start System	-	-	-	■
Map Lights	■	■	■	■
Driver & Passenger Sun Visors with Passenger Vanity Mirror	■	■	■	■
Sun Glass Holder / Overhead Console	-	■	■	■
Height Adjustable Steering Wheel	■	■	■	■
Steering Wheel Mounted Audio & Cruise Controls	-	■	■	■
Two 12-Volt Power Outlets (Top Glove Box & Instrument Panel)	■	■	■	■
Low Fuel Warning Light	■	■	■	■
Gear Shift Indicator (Manual Only)	■	■	■	■
Multi-Information Display	-	■	■	■
<b>CLIMATE CONTROL</b>				
Manual Air Conditioning	■	■	■	-
Automatic Air Conditioning	-	-	-	■
Rear Heating Ducts	■	-	■	■

■ = standard □ = no cost option

\*1 Driver side has auto up/down function, with pinch protection and timer.\*2 Leather and other materials.

	EIGER DOUBLE CAB	YUKON EXTENDED CAB	YUKON DOUBLE CAB	UTAH DOUBLE CAB
<b>INTERIOR</b>				
Cloth Upholstery	■	■	■	-
Leather Upholstery*2	-	-	-	■
Height Adjustable Driver's Seat (Manual)	■	■	■	-
Height Adjustable Driver's Seat (Electric)	-	-	-	■
Heated Front Seats	-	-	-	■
Front Seatback Map Pockets	■	■	■	■
Flat Folding Rear Seats	■	-	■	■
60/40 Folding Seat Base	■	-	■	■
Under Seat Base Storage	■	■	■	■
Height Adjustable Front Headrests	■	■	■	■
Height Adjustable Rear Headrests	■	-	■	■
Leather Steering Wheel	-	■	■	■
Front Centre Armrest	■	■	■	■
Front Cup Holders (Centre Console & Dash - Driver & Passenger Sides)	■	■	■	■
Front Door Pockets with Bottle Holder	■	■	■	■
Rear Cup Holder (in Centre Console)	■	-	■	■
Rear Centre Armrest	■	-	■	■
Rear Door Pockets with Bottle Holder	■	-	■	■
Carpet Floor Trim	■	■	■	■
Driver's Foot Rest	■	■	■	■
<b>SAFETY AND SECURITY</b>				
ESC (Electronic Stability Control)	■	■	■	■
Trailer Sway Control	■	■	■	■
ABS (Anti-Lock Braking System)	■	■	■	■
EBD (Electronic Brakeforce Distribution)	■	■	■	■
Brake Assist System	■	■	■	■
Hill Start Assist	■	■	■	■
Hill Descent Control	■	■	■	■
Security Etched Glass	■	■	■	■
Insurance Approved Immobiliser	■	■	■	■
Alarm	■	■	■	■
Front, Side & Curtain SRS Airbags*3	■	■	■	■
Height Adjustable Front Seatbelts with Pretensioner & Load Limiter	■	■	■	■
2 x Three-Point Rear Seatbelts (Side)	-	■	-	-
3 x Three-Point Rear Seatbelts (Side & Centre)	■	-	■	■
ISOFIX Child Seat Anchors with Top Tether Anchors (2 x Rear Side)	■	-	■	■
Rear Door Child Locks	■	-	■	■
Seatbelt Reminder Indicator (Driver & Passenger)	■	-	■	■
Door Open Warning Light	■	■	■	■
Rear Parking Sensors	-	-	-	■
Reversing Camera	■	■	■	■
<b>ENTERTAINMENT</b>				
Bluetooth® Connectivity	■	■	■	■
RDS Radio	■	■	■	-
DAB Radio	-	-	-	■
Apple CarPlay™ & Android Auto™ (functionality available with compatible smartphones)	-	-	-	■
CD Player	■	■	■	-
7" Multifunction Colour Touchscreen	-	■	■	■
Satellite Navigation	-	-	-	■
Six Speakers (2 x Front Door, 2 x Rear Door & 2 x Tweeters)	■	-	-	-
Six Speakers (2 x Front Door, 2 x Tweeters & 2 x Roof Mounted)	-	■	-	-
Eight Speakers (2 x Front Door, 2 x Rear Door, 2 x Tweeters & 2 x Roof Mounted)	-	-	■	■
Front USB Port	■	■	■	■
Rear USB Port	■	■	■	■

\*3 SRS: Supplemental Restraint System. Must be used in conjunction with seatbelts.



# TECHNICAL SPECIFICATIONS

	EIGER DOUBLE CAB	EIGER DOUBLE CAB (AUTO)	YUKON EXTENDED CAB	YUKON DOUBLE CAB	YUKON DOUBLE CAB (AUTO)	UTAH DOUBLE CAB	UTAH DOUBLE CAB (AUTO)
<b>ENGINE</b>							
Engine Type	RZ4E						
Fuel Type	Diesel						
Arrangement Cylinders	4, In line						
Firing Order	1-3-4-2						
Bore mm	80.0						
Stroke mm	94.4						
Compression	15.9						
Engine Capacity cm3	1898						
Idle Speed	750+/- 25						
Fuel tank capacity litres	76						
<b>GEAR RATIOS</b>							
1	4.942	3.600	4.942	4.942	3.600	4.942	3.600
2	2.430	2.090	2.430	2.430	2.090	2.430	2.090
3	1.428	1.488	1.428	1.428	1.488	1.428	1.488
4	1.000	1.000	1.000	1.000	1.000	1.000	1.000
5	0.749	0.687	0.749	0.749	0.687	0.749	0.687
6	0.634	0.580	0.634	0.634	0.580	0.634	0.580
Reverse	4.597	3.732	4.597	4.597	3.732	4.597	3.732
Final Drive	4.300	4.300	4.300	4.300	4.300	4.300	4.300
<b>PERFORMANCE</b>							
Net Power PS @ rpm	164 @ 3600						
Torque Nm @ rpm	360 @ 2000 - 2500						
Maximum Speed (mph)	112						
Acceleration (0-62mph) sec	12.7	13.0	12.7	12.7	13.0	12.7	13.0

	EIGER DOUBLE CAB	EIGER DOUBLE CAB (AUTO)	YUKON EXTENDED CAB	YUKON DOUBLE CAB	YUKON DOUBLE CAB (AUTO)	UTAH DOUBLE CAB	UTAH DOUBLE CAB (AUTO)
<b>FUEL CONSUMPTION MPG</b>							
Urban	37.2	30.4	37.2	37.2	30.4	37.2	30.4
Extra Urban	42.8	40.9	42.8	42.8	40.9	42.8	40.9
Combined	40.4	36.2	40.4	40.4	36.2	40.4	36.2
CO2 emissions g/km	183	205	183	183	205	183	205
Emissions Class	Euro 6	Euro 6	Euro 6	Euro 6	Euro 6	Euro 6	Euro 6
<b>DIMENSIONS</b>							
Length mm	5295	5295	5295	5295	5295	5295	5295
Width mm	1860	1860	1860	1860	1860	1860	1860
Height mm**	1785	1785	1790	1795	1795	1795	1795
Front Overhang mm	905	905	905	905	905	905	905
Rear Overhang mm	1295	1295	1295	1295	1295	1295	1295
Wheelbase mm	3095	3095	3095	3095	3095	3095	3095
Track (front & rear) mm	1570	1570	1570	1570	1570	1570	1570
Ground Clearance mm (Rear Axle)	225	225	235	235	235	235	235
Approach Angle (deg.)	30	30	30	30	30	30	30
Departure Angle (deg.)	22	22	23	23	23	23	23
Ramp Angle (deg.)	22	22	22	22	22	22	22
<b>LOAD BED DIMENSIONS</b>							
Length mm	1485	1485	1795	1485	1485	1485	1485
Width mm	1530	1530	1530	1530	1530	1530	1530
Depth mm	465	465	465	465	465	465	465
<b>WEIGHTS</b>							
Kerb Weight kg	1889	1907	1899	1935	1953	1951	1952
Gross Vehicle Weight kg	3050	3050	3050	3050	3050	3050	3050
Payload** kg	1161	1143	1151	1115	1097	1099	1098
Max Front Axle kg	1350	1350	1350	1350	1350	1350	1350
Max Rear Axle kg	1870	1870	1870	1870	1870	1870	1870
Trailer Weight Braked kg	3500	3500	3500	3500	3500	3500	3500
Trailer Weight Unbraked kg	750	750	750	750	750	750	750
Nose Weight kg	245	245	245	245	245	245	245
Gross Train Weight kg	6000	6000	6000	6000	6000	6000	6000
<b>WHEELS &amp; TYRES</b>							
Tyres	245/70R16	245/70R16	255/60R18	255/60R18	255/60R18	255/60R18	255/60R18
Wheels	16x7 J	16x7 J	18x7 J	18x7 J	18x7 J	18x7 J	18x7 J
<b>INSURANCE GROUPS</b>							
Insurance Groups	39A	39A	40A	Yukon: 39A Nav+: 40A	40A	40A	40A

\*\* Height excluding roof bars. Height of Utah including roof bars: 1870mm. \*\* Maximum payload capacity as defined by HM Revenue and Customs for VAT purposes.

Payload is gross vehicle weight minus kerb weight. Kerb weights quoted are for vehicles with standard specification. Kerb weight and payload may be influenced by badge level, factory options and dealer fitted accessories. It is the responsibility of the vehicle operator to ensure their vehicle is legally compliant for road use.





isuzu.co.uk

Isuzu (UK) LTD reserve the right to change specifications and equipment without notice. Features and specification may vary in appearance and/or availability. For full details please contact your local Isuzu dealer or visit isuzu.co.uk

Part No. IB533

