

THE ALL-NEW ISUZU D-MAX
V-CROSS

ISUZU
THE PICK-UP
PROFESSIONALS



isuzu.co.uk

THE ALL-NEW ISUZU D-MAX

V-CROSS

Providing legendary Isuzu capability and durability, this robust and proven workhorse offers superior levels of comfort and refinement in our most exciting pick-up yet, the All-New Isuzu D-Max V-Cross.

Distinctive styling, class-leading safety and unrivalled off-road performance combine to deliver a pick-up that consistently meets all of life's needs with ease.

A life driven by work, family and adventure demands more, and the All-New Isuzu D-Max V-Cross delivers.



“It’s got the strength and off-road capability you’d expect” ... “and can swim up to its elbows in filth.”

THE SUN

FIVE
YEAR
125K MILE
WARRANTY

3.5
TONNE
TOWING
CAPACITY

—OVER—
1.0
TONNE
PAYLOAD

164
PS

5 YEAR
UK & EU
ROADSIDE
ASSISTANCE

12 YEAR
ANTI-CORROSION
WARRANTY

VAT
BACK
QUALIFIED

NO
SPEED
RESTRICTIONS

*5 year / 125,000 miles (whichever comes first) warranty applies to all new Isuzu D-Max models.

SMARTER.

Striking good looks and a proven pedigree, the All-New Isuzu D-Max V-Cross is trusted to perform and designed to stand out.



ASSERTIVE EXTERIOR

Sleek Bi-LED headlights, distinctive gun metal styling and robust 18" alloy wheels provide a commanding road presence.

Loaded with intelligent driver aids, automatic headlights feature high beam assist and automatic windscreen wipers will activate when moisture is detected on the windscreen. Plus, front and rear parking sensors and a reversing camera ensure safe and convenient manoeuvring.

Newly designed side steps and keyless entry afford easy access to the cabin and a tailgate damper ensures a gentle opening action when accessing the load bed.



“It’s better equipped, smarter to look at, is a more capable work vehicle and is the safest truck in the class.”

AUTO EXPRESS

SMARTER.

Plenty of room and loaded with tech, the All-New Isuzu D-Max V-Cross provides outstanding levels of comfort and convenience.

ELEGANT INTERIOR

Sophisticated leather upholstery and an 8-way electrically adjustable driver's seat with power lumbar support is combined with a height and reach adjustable leather steering wheel to ensure maximum driver comfort.

Dual zone climate control allows the driver and passenger to set different temperatures and entertainment is provided by the 9" touchscreen which features DAB, Bluetooth®, Apple CarPlay™ and Android Auto™.

Flat folding, modular rear seats and a variety of storage compartments mean the spacious cabin can be configured for any adventure.



STRONGER.

Power and performance that you can rely on, the All-New Isuzu D-Max V-Cross is now even better on and off-road.

TOWING POWER

The V-Cross is capable of towing up to 3.5 tonnes and is equipped with trailer sway control that uses sensors to detect the onset of trailer swing and reduces vehicle speed if sway is identified.

DRIVING TORQUE

A diesel engine delivering 164PS and 360Nm of torque is mated to a choice of 6-speed manual or 6-speed automatic transmission.

Refined suspension improves ride and ensures comfort, especially when unladen, without compromising on its carrying capacity of over one tonne payload.



“This D-Max not only looks and drives better than before, it now features class-leading safety, on trend tech, a far better passenger experience.”

COMPANY CAR & VAN



STRONGER.

No road? No problem! When the going gets tough, the All-New Isuzu D-Max V-Cross handles all terrains with proven capability, no matter what the conditions.



OFF-ROAD CAPABILITY

No adventure is off limits with a 4WD shift-on-the-fly system, rear differential lock and a wading depth of up to 800mm.

TOUGH PROTECTION

Built on a durable ladder chassis, the V-Cross has additional underbody protection covers to safeguard key components when travelling off-road.

“The D-Max represents astoundingly good value and will seriously impress off road.”

AUTOCAR



SAFER.

Best-in-class safety-features—plus a maximum 5 star NCAP rating—take pick-up safety to a whole new level.



REAR RADAR



BLIND SPOT MONITOR



STEREO CAMERA

ADVANCED DRIVER ASSIST SYSTEMS (ADAS)

FORWARD COLLISION WARNING

Monitors the road ahead and alerts the driver of a potential collision.

AUTONOMOUS EMERGENCY BRAKING

Automatically applies the brakes to either prevent an accident or reduce the severity of an impact depending on speed.

TRAFFIC SIGN RECOGNITION

Reads standard road signs ahead and displays any change in speed limit on the Multi-Information Display.

INTELLIGENT SPEED LIMITER

Keeps vehicle speed below the speed limit of the road it is travelling along.

LANE DEPARTURE WARNING

Alerts the driver if they are about to drift out of their lane.

LANE DEPARTURE PREVENTION SYSTEM

Adjusts steering direction to help prevent lane departure if the vehicle is about to depart its lane without indicating.

LANE KEEP ASSIST¹

Detects lane markings and makes necessary steering adjustment to help keep the vehicle in its lane.

AT PEDAL MISAPPLICATION MITIGATION¹

Will suppress engine torque and issue a visual and audible warning if the driver suddenly accelerates in front of an object.

ADAPTIVE CRUISE CONTROL¹

Enables the driver to set both the desired speed and the distance to the car in front.

BLIND SPOT MONITOR

Detects vehicles in the driver's blind spot and alerts the driver via an orange warning light in the door mirror.

EMERGENCY LANE KEEPING

If there is a vehicle in the driver's blind spot when changing lanes, the system will adjust the steering direction to prevent the lane change and avoid the collision.

REAR CROSS TRAFFIC ALERT

Detects vehicles approaching from the left or right while reversing out of a parking space.

ADAS are driving support systems which may not operate optimally under all driving conditions or for all objects. The driver is always responsible for safe and attentive driving and observance of traffic regulations. See Owner's Manual for complete details on system operation and limitations. ¹Automatic transmission only.

EXTERIOR SPECIFICATION.



Key: ■ Standard □ No Cost Option

EXTERIOR	V-CROSS
Bi-LED Headlights	■
LED Daytime Running Lights	■
Automatic Headlights	■
High Beam Assist	■
Automatic Headlight Levelling	■
LED Rear Lights	■
LED Front Fog Lights	■
Rear Fog Lights	■
Automatic Windscreen Wipers with Rain Sensor	■
Heated Rear Screen	■
Gun Metal Radiator Grille	■
Body Coloured Front Bumper	■
Body Coloured Rear Bumper with Integrated Step	■
Gun Metal Side Steps	■
Folding, Heated, Gun Metal Door Mirrors with Side Indicator Repeaters	■
Gun Metal Door Handles	■
Integrated Fuel Filler Cap with AdBlue	■
Tailgate Damper	■
WHEELS	
18" Alloy Wheels - Gun Metal	■
Locking Wheel Nuts	■
Full Size Spare Wheel - Steel	□



INTERIOR SPECIFICATION.

Key: ■ Standard □ No Cost Option

INTERIOR	V-CROSS
Leather Upholstery ¹	■
8-Way Adjustable Driver's Seat (Electric)	■
Driver's Seat Lumbar Support (Power)	■
Heated Front Seats	■
Front Seatback Map Pockets	■
Flat Folding Rear Seats	■
60/40 Folding Seat Base	■
Under Seat Base Storage	■
Height Adjustable Front Headrests	■
Height Adjustable Rear Headrests	■
Front Centre Armrest	■
Front Cup Holders (Centre Console & Dash - Driver & Passenger Sides)	■
Front Door Pockets with Bottle Holder	■
Rear Centre Armrest with Cup Holders	■
Rear Door Pockets with Bottle Holder	■
Leather Steering Wheel	■
Carpet Floor Trim	■
Driver's Foot Rest	■
V-Cross Branded Carpet Mats	■
ENTERTAINMENT	
9" Multifunction Colour Touchscreen	■
Bluetooth® Connectivity	■
DAB Radio	■
Apple CarPlay™ & Android Auto™	■
CD Player	■
Eight Speakers	■
Front USB Port	■
Rear USB Port	■

¹Leather and other materials.

VEHICLE SPECIFICATION

Key: ■ Standard □ No Cost Option

COMFORT & CONVENIENCE V-CROSS

Remote Control Central Locking	■
Follow Me Home Light	■
Keyless Entry & Push Button Start System	■
Welcome Light	■
Power Windows (Front & Rear) ²	■
Sun Glass Holder & Overhead Console	■
Map Lights	■
Driver & Passenger Sun Visors with Illuminated Vanity Mirror	■
Auto Dimming Rear View Mirror	■
Height & Reach Adjustable Steering Wheel	■
Steering Wheel Mounted Audio & Cruise Controls	■
12-Volt Power Outlet	■
Gear Shift Indicator (Manual Only)	■
4.2" Multi-Information Display	■

CLIMATE CONTROL

Dual Zone Climate Control	■
Rear Ventilation Panel	■

ADVANCED DRIVER ASSIST SYSTEMS³

Cruise Control	■
Adaptive Cruise Control (Auto Only)	■
Forward Collision Warning	■
Autonomous Emergency Braking	■
Traffic Sign Recognition	■
Intelligent Speed Limiter ⁴	■
Lane Departure Warning & Prevention System	■
Lane Keep Assist (Auto Only)	■
AT Pedal Misapplication Mitigation (Auto Only)	■
Blind Spot Monitor	■
Emergency Lane Keeping	■
Rear Cross Traffic Alert	■

²Driver side has auto up/down function, with pinch protection and timer. ³ADAS are driving support systems which may not operate optimally under all driving conditions or for all objects. The driver is always responsible for safe and attentive driving and observance of traffic regulations. See Owner's Manual for complete details on system operation and limitations. ⁴Manual & Intelligent Speed Limiter. ⁵SRS: Supplemental Restraint System. Must be used in conjunction with seatbelts. ⁶According to conditions, the Stop & Start system will automatically stop and restart the engine when the vehicle comes to a standstill to reduce fuel consumption and emissions.

SAFETY & SECURITY V-CROSS

Front & Rear Parking Sensors	■
Reversing Camera	■
Rear Differential Lock	■
4WD Shift-On-The-Fly	■
Speed-Sensitive Power Steering	■
ESC (Electronic Stability Control)	■
Traction Control	■
Trailer Sway Control	■
ABS (Anti-Lock Braking System)	■
EBD (Electronic Brakeforce Distribution)	■
Brake Assist System	■
Hill Start Assist	■
Hill Descent Control	■
E-Call	■
Multi-Collision Brake	■
Security Etched Glass	■
Insurance Approved Immobiliser	■
Alarm with Deadlock	■
Front, Side, Curtain & Driver Knee SRS Airbags ⁵	■
Centre SRS Airbag ⁵	■
Passenger Airbag Deactivation Switch	■
Height Adjustable Front Seatbelts with Pretensioner & Load Limiter	■
3 x Three-Point Rear Seatbelts (Side & Centre)	■
ISOFIX Child Seat Anchors with Top Tether Anchors (2 x Rear Side)	■
Rear Door Child Locks	■
Seatbelt Reminder Indicator (All Seating Positions)	■
Door Open Warning Light	■
Stop & Start System ⁶	■



“V-Cross will easily manage most terrain its owners will throw it at.”

SUNDAY EXPRESS

TECHNICAL SPECIFICATION

ENGINE	MANUAL	AUTO
Engine Type		RZ4E
Fuel Type		Diesel
Arrangement Cylinders		4, In line
Firing Order		1-3-4-2
Bore mm		80.0
Stroke mm		94.4
Compression		15.9
Engine Capacity cm³		1898
Idle Speed		750+/- 25
Fuel Tank Capacity Litres		76

GEAR RATIOS	MANUAL	AUTO
1	4.942	3.600
2	2.452	2.090
3	1.428	1.488
4	1.000	1.000
5	0.749	0.687
6	0.634	0.580
Reverse	4.597	3.732
Final Drive	4.300	4.300

PERFORMANCE	MANUAL	AUTO
Net Power PS @ rpm		164 @ 3600
Torque Nm @ rpm		360 @ 2000 - 2500
Maximum Speed (mph)		112
Acceleration (0-62mph) sec	12.7	13.0

FUEL CONSUMPTION WLTP (MPG) ¹	MANUAL	AUTO
Low	27.6	25.1
Mid	36.4	31.4
High	39.4	36.0
Extra-High	30.8	29.0
Combined	33.6	30.7
CO ₂ emissions g/km	220	241
Emissions Class		Euro 6D

¹MPG figures are EU test figures for comparative purposes and may not reflect real driving results. There is a new WLTP test used for fuel consumption and CO₂ figures. The fuel consumption and CO₂ emissions shown are based on the WLTP testing method. Only compare fuel consumption and CO₂ figures with other vehicles tested to the same technical standard. The fuel consumption you achieve in real life conditions and CO₂ produced will depend upon a number of factors including accessories fitted (post-registration), variations in weather, driving styles and vehicle load etc. ²Maximum payload capacity as defined by HM Revenue and Customs for VAT purposes. Payload is gross vehicle weight minus kerb weight. Kerb weights quoted are for vehicles with standard specification. Kerb weight and payload may be influenced by badge level, factory options and dealer fitted accessories. It is the responsibility of the vehicle operator to ensure their vehicle is legally compliant for road use.

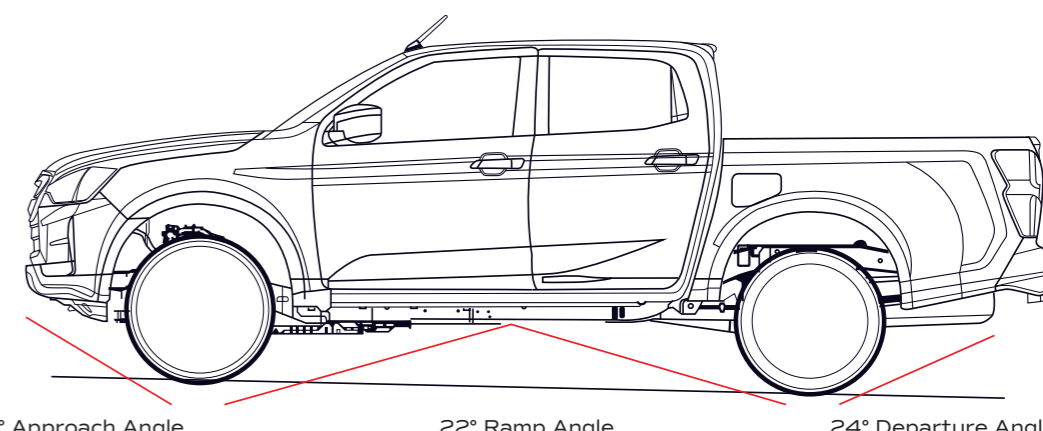
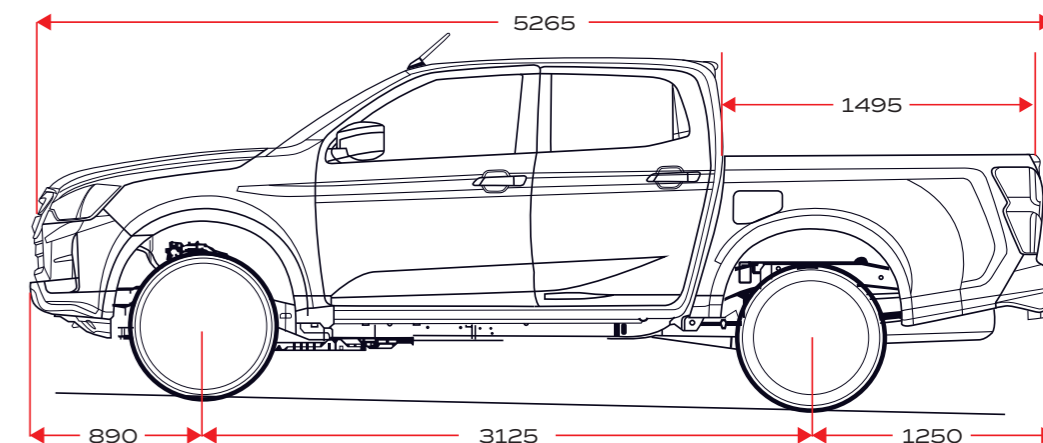
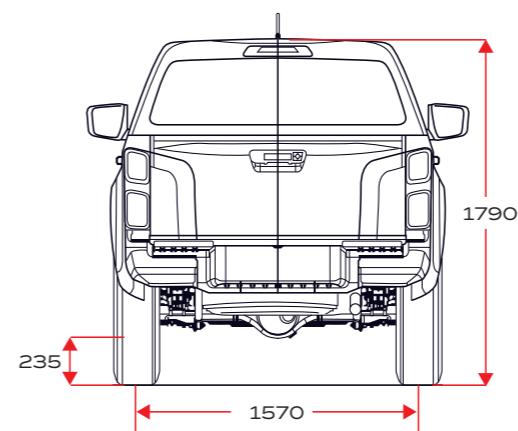
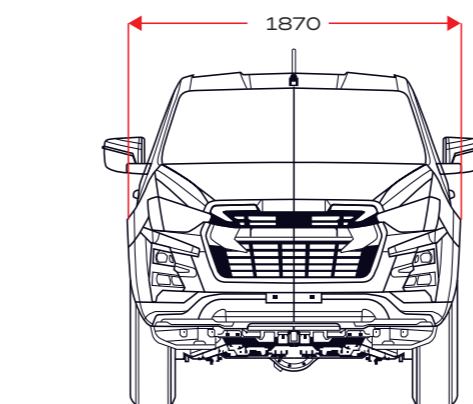
VEHICLE DIMENSIONS

DIMENSIONS (MM)	MANUAL	AUTO
Length		5265
Width		1870
Height		1790
Front Overhang		890
Rear Overhang		1250
Wheelbase		3125
Track (Front & Rear)		1570
Ground Clearance (Rear Axle)		235
Approach Angle (Degrees)		31
Departure Angle (Degrees)		24
Ramp Angle (Degrees)		22

LOAD BED (MM)	MANUAL	AUTO
Length	1495	1495
Width	1530	1530
Depth	490	490

WEIGHTS (KG)	MANUAL	AUTO
Kerb Weight	2000	2030
Gross Vehicle Weight	3100	3100
Payload ²	1100	1070
Max Front Axle	1450	1450
Max Rear Axle	1910	1910
Trailer Weight Braked	3500	3500
Trailer Weight Unbraked	750	750
Nose Weight	245	245
Gross Train Weight	6000	6000

WHEELS & TYRES	MANUAL	AUTO
Tyres		265/60R18
Wheels		18x7.5 J



COLOURS.



SPLASH WHITE



OBSIDIAN GREY
MICA



MERCURY SILVER
METALLIC



ONYX BLACK
MICA



SPINEL RED
MICA



SAPPHIRE BLUE
MICA



VALENCIA ORANGE
METALLIC

PEARL WHITE.
EXCLUSIVE
TO V-CROSS.



PEARL WHITE
PEARLESCENT



ISUZU
THE PICK-UP
PROFESSIONALS



V-CROSS

[isuzu.co.uk](https://www.isuzu.co.uk)

Isuzu (UK) LTD reserve the right to change specifications and equipment without notice. Features and specification may vary in appearance and/or availability. For full details please contact your local Isuzu dealer or visit [isuzu.co.uk](https://www.isuzu.co.uk)

Part No. IB554